

# VESTA™



**PERSONAL DEFENSE WEAPON .50**



## VESTA

Ves•ta (vɛstə)  
*noun - historical*

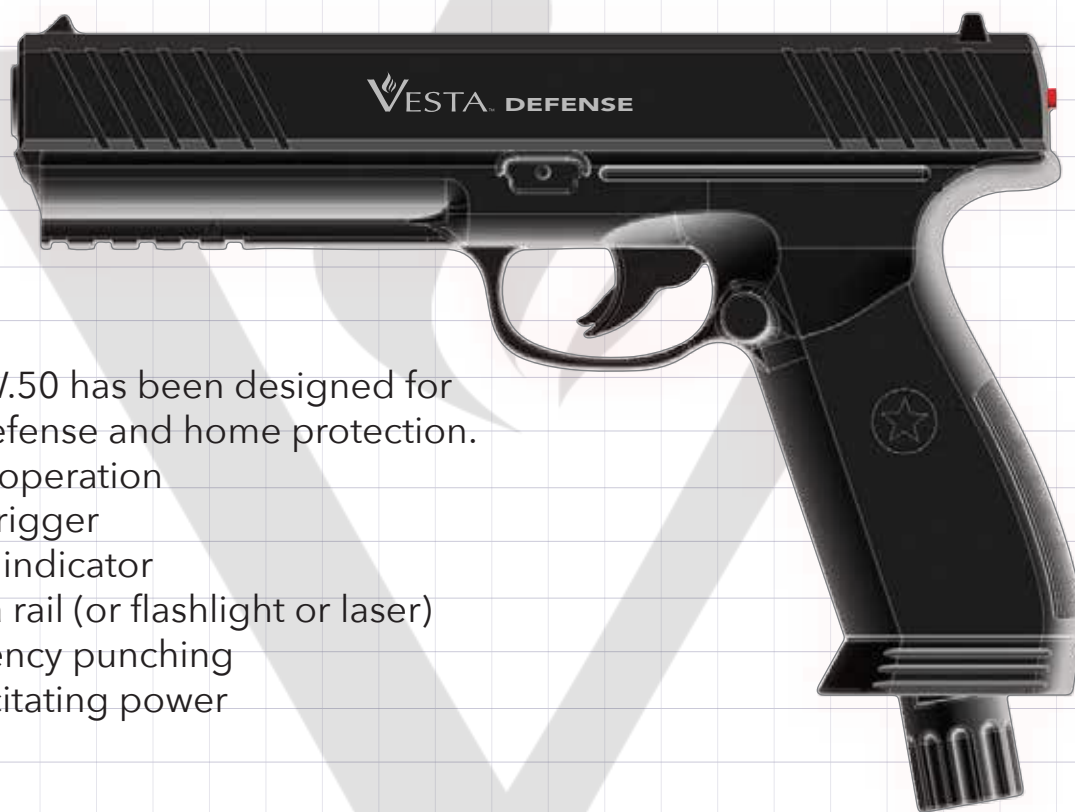
The ancient Roman goddess and protector of the household and the family.

Vesta was worshiped in a temple containing an altar on which a sacred fire was kept burning by the vestal virgins.



# VESTA .50

## 1.0 - MEET THE VESTA PDW .50

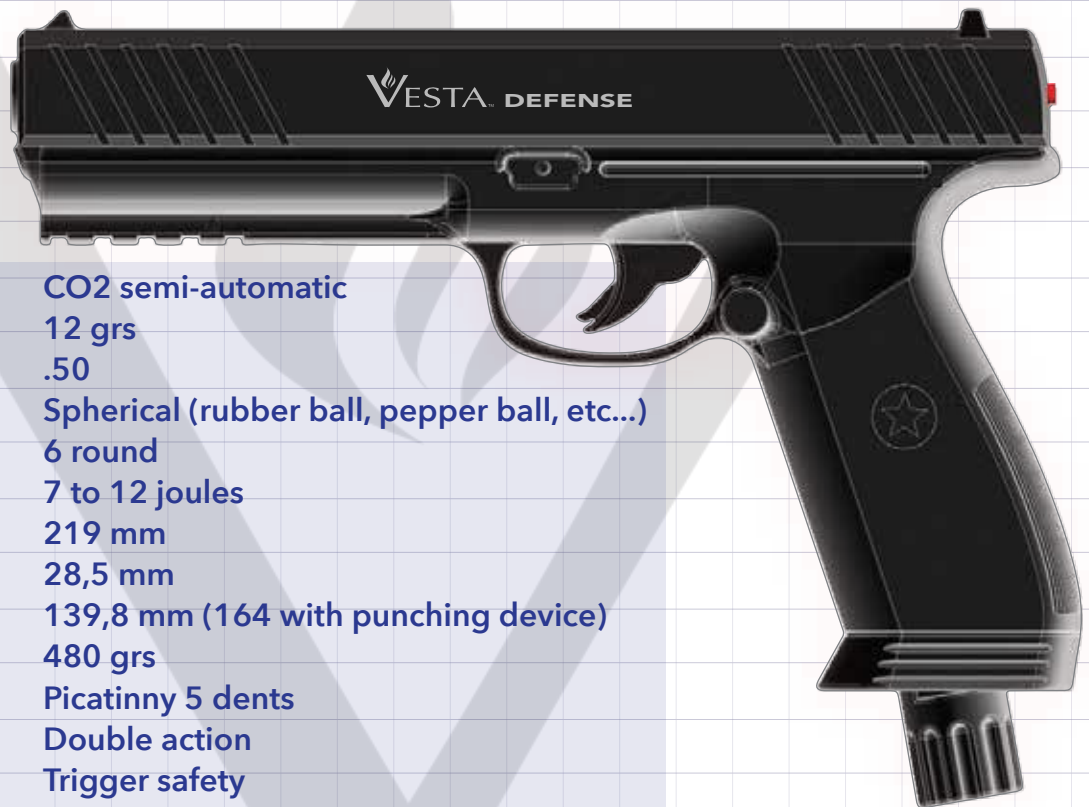


VESTA PDW.50 has been designed for personal defense and home protection.

- Simple operation
- Safety trigger
- Service indicator
- Camera rail (or flashlight or laser)
- Emergency punching
- Incapacitating power

# PLANETA .50

## 1.1 - SPECIFICATIONS



Operation mode	CO2 semi-automatic
Capsule type	12 grs
Caliber	.50
Projectile type	Spherical (rubber ball, pepper ball, etc...)
Magazine capacity	6 round
Power	7 to 12 joules
Overall length	219 mm
Width	28,5 mm
Height	139,8 mm (164 with punching device)
Weight	480 grs
Rail type	Picatinny 5 dents
Trigger system	Double action
Safety	Trigger safety
Material	Polymer shell, metal inner parts
Manufacturer	PLAN BETA Ltd

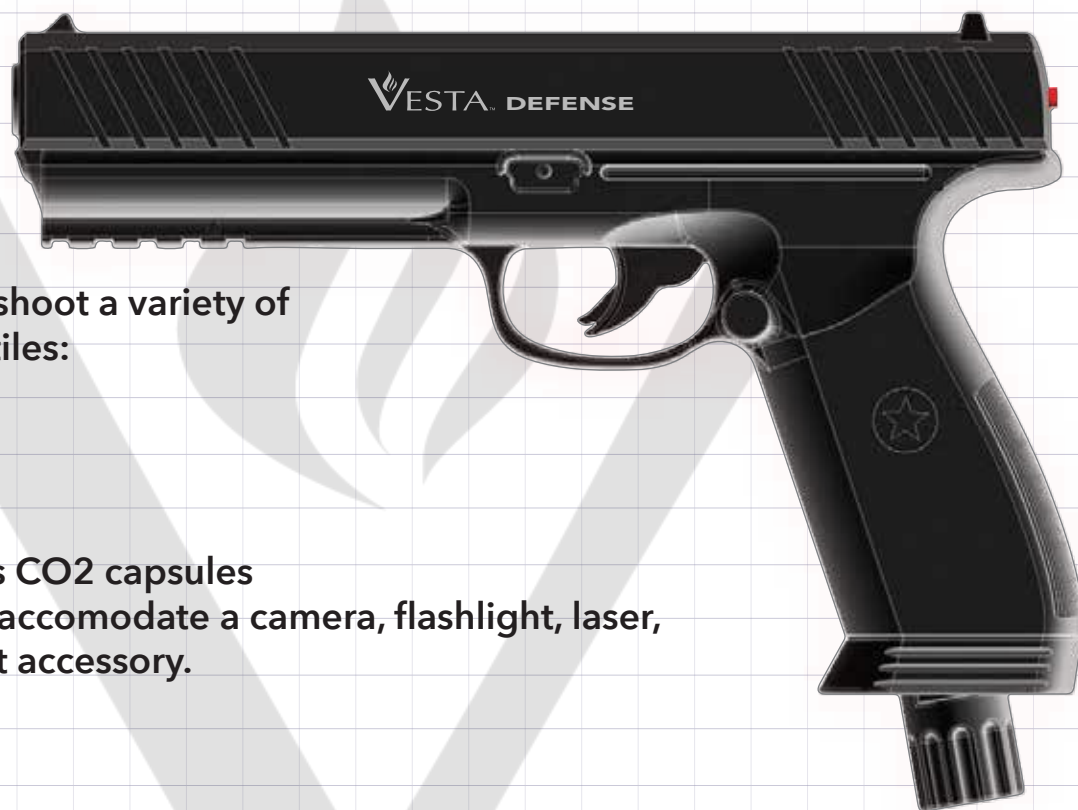
# FW.50

## 1.2 - QUICK DESCRIPTION



# PDW.50

## 1.3 - RELATED PRODUCTS



VESTA PDW.50 can shoot a variety of spherical .50 projectiles:

- rubber ball
- pepper ball
- chalk ball
- taint / paint ball

It operates on 12 grs CO2 capsules

Its Picatinny rail can accommodate a camera, flashlight, laser, or any other relevant accessory.

### RELATED PRODUCTS



CO2 cartridge



rubber balls



pepper balls



chalk balls



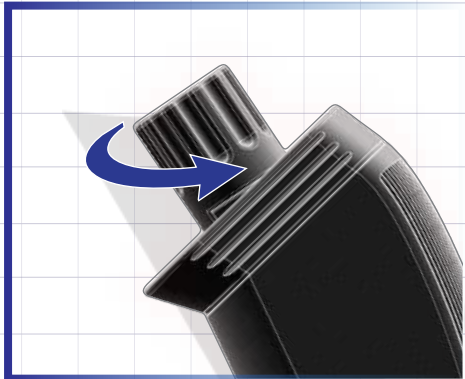
paint balls



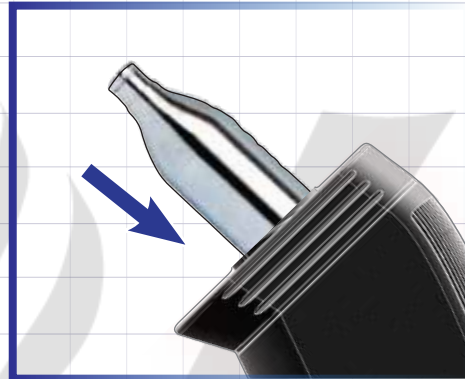
Flashlight/Laser/Camera

# FW-50

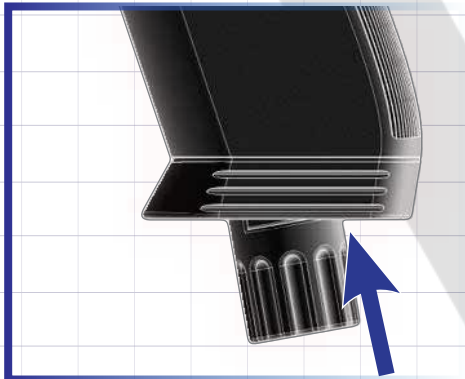
## 2.0 - INSERT THE CO2 CAPSULE



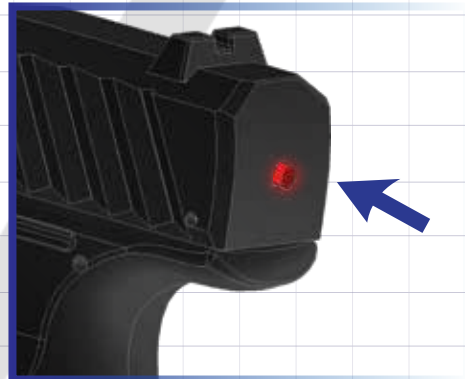
**A** Unscrew the punching device located at the bottom of the grip



**B** Insert the CO2 capsule as shown and screw the device back in



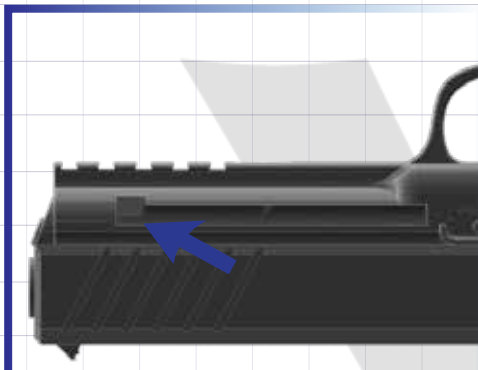
**C** Strongly push the device upwards to pierce the capsule



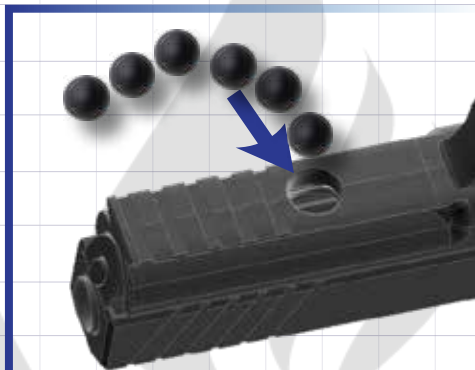
**D** If the pressure indicator sticks out, the gun is ready to shoot

# FWV .50

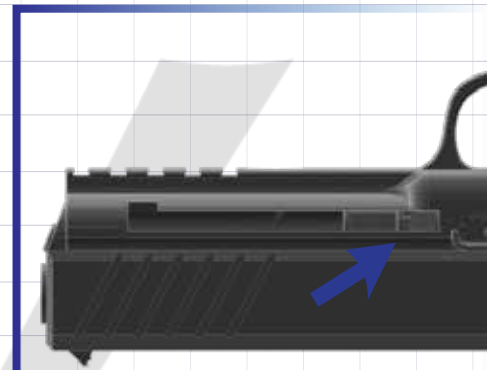
## 2.1 - INSERT THE AMMO



Pull the spring and lock it



Fill in the ammo 1 by 1 (6 maximum)



Release the spring

### WARNING

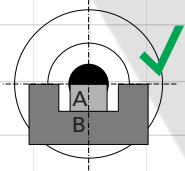
Always use .50 cal spherical projectiles designed for this type of gun

Do not use projectiles that might have burr, be dirty, or be irregularly-shaped

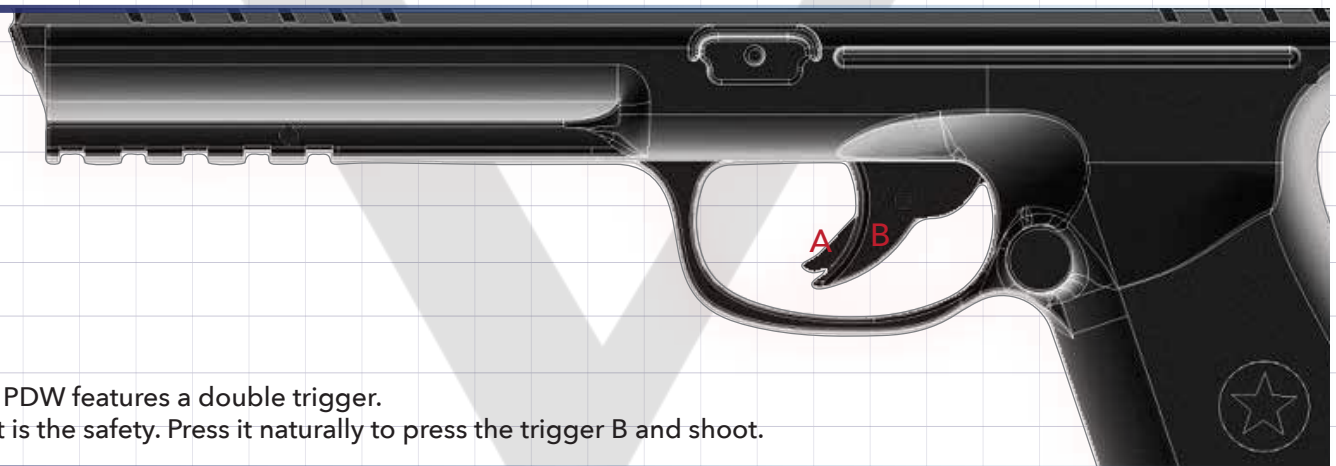


# PDW .50

## 2.2 - AIM AND FIRE



For optimum aiming, make sure the 2 sights (A & B) are aligned horizontally and vertically (as shown on the drawing above)



The Vesta PDW features a double trigger.  
The A part is the safety. Press it naturally to press the trigger B and shoot.

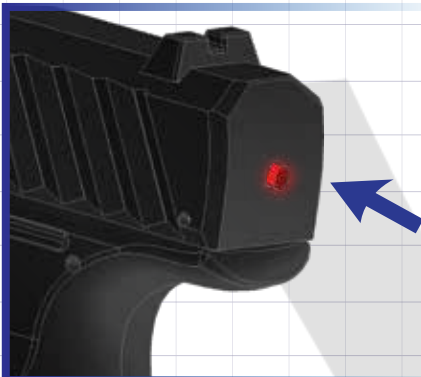
## 2.3 - CAPSULE REPLACEMENT

### WARNING

Always make sure the capsule is empty before unscrewing the punching device

When your shooting session is done , always empty and get rid of the CO2 capsule before storing the gun.

For fast response purpose, you can insert a full CO2 capsule, but for safety reasons **DO NOT PUNCH IT.**



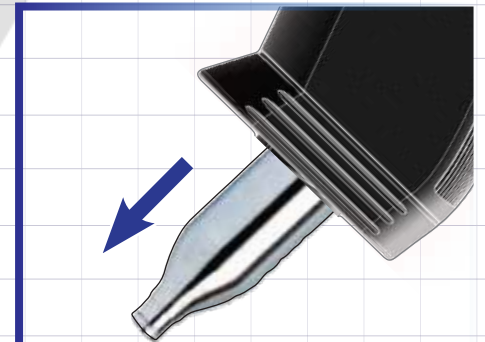
**A** Gently and firmly press the red indicator till you hear the gas come out



**B** When the red indicator is back in, the CO2 capsule is empty



**C** Unscrew the punching device located at the bottom of the grip



**D** Remove the CO2 capsule and screw the device back in



## 2.4 - TROUBLESHOOTING

	CO2 capsule not punched	Dirty barrel	CO2 capsule empty	Magazine empty	Too hot temperature	Too cold temperature	Inappropriate ammo	Ammo wrongfully loaded	Poor use of sights
Gun not shooting	X	X	X	X	X	X	X	X	
Poor accuracy		X					X		X
Weak shooting		X			X	X	X		

In case of trouble, contact your dealer, or send us an email: [welcome@planbeta.net](mailto:welcome@planbeta.net)



©2022 VESTA is a Trademark of PLAN BETA Ltd  
6 Wang Kwun road, Kowloon Bay, HONG KONG  
[www.planbeta.net](http://www.planbeta.net)

